

# Ligero Bus

Regional Transport | Modular + Lightweight



# Ligero NG

## Modular + Lightweight

**The Ligero NG is the perfect seat for urban and regional buses: It is the lightest seat of its class – and with the largest possible modularity. Each component is connected with an innovative quick release system. This saves time and money during maintenance and repairs. The fact that the components of the Ligero NG can be replaced individually makes it especially environmentally friendly and robust. The components can also be recycled separately.**

As the seating frame of the Ligero NG does not define the height of the back rest, but instead the easily removable back cushion, it is possible to have different back rest heights. The material-saving modular design also has a positive impact on the weight: The Ligero NG weighs around 20 percent less than comparable models, making it the lightest seat in its class – this is also good for the environment, as less weight also means less fuel consumption. The automotive industry served us well for the design of the Ligero NG: The seat resembles that of attractive, comfortable car seats and fits ideally into the ambience of modern urban and regional buses. With regard to covers, numerous different materials are available in addition to artificial and authentic leather, which is even made from recycled materials.



Ligero NG 700



Ligero NG 750

### PRODUCT FEATURES AND BENEFITS

- Lightest seat of its class
- Modular system
- Innovative quick release system
- Environmentally friendly + robust
- Components can be recycled separately

# Ligero NG 700

## Functions



# Ligero NG 750

## Functions

### ADJUSTABLE BACKREST

- Left
- Optional

### FOLDING ARMREST

- Toward the aisle central

### BOW-TYPE HANDLE

- Optional

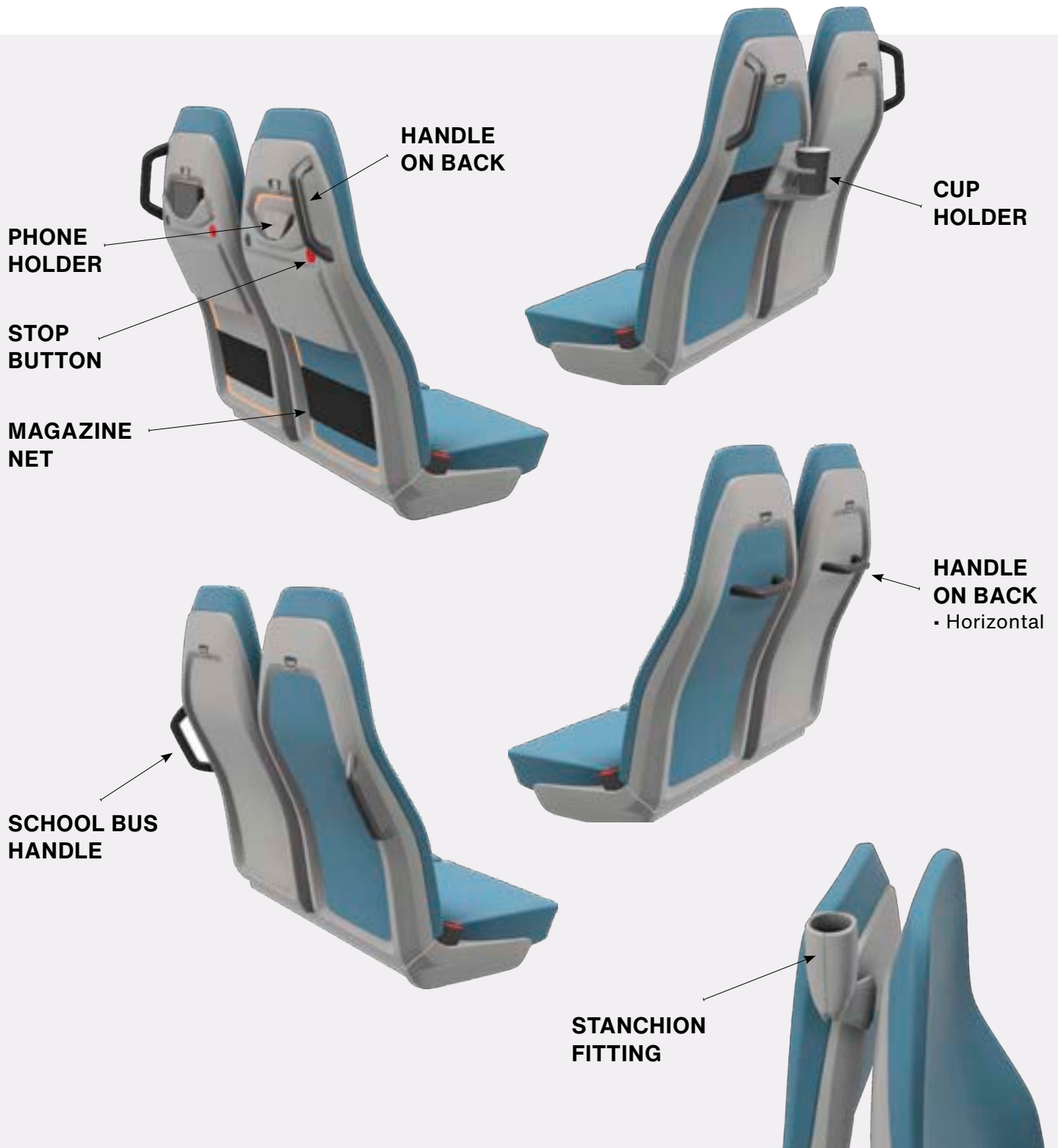
### HANDLE

- On the back
- Optional



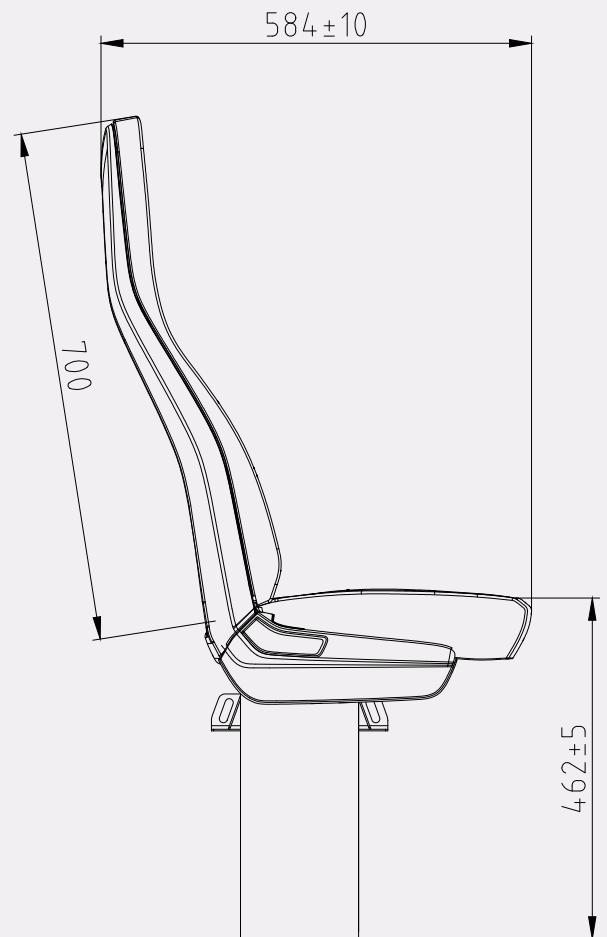
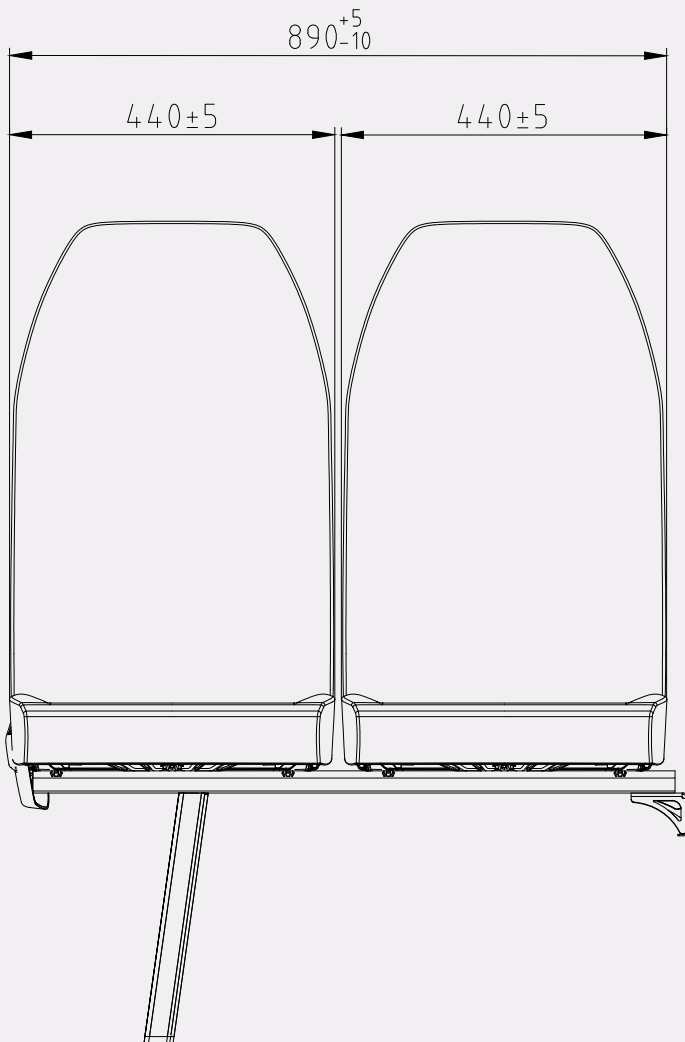
# Ligero NG 700/750

## Accessoires



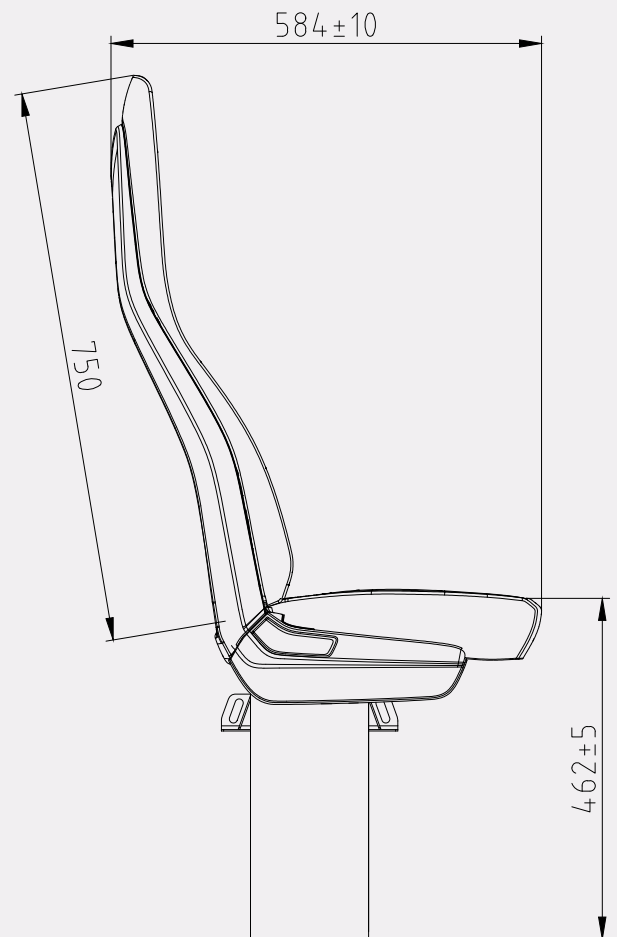
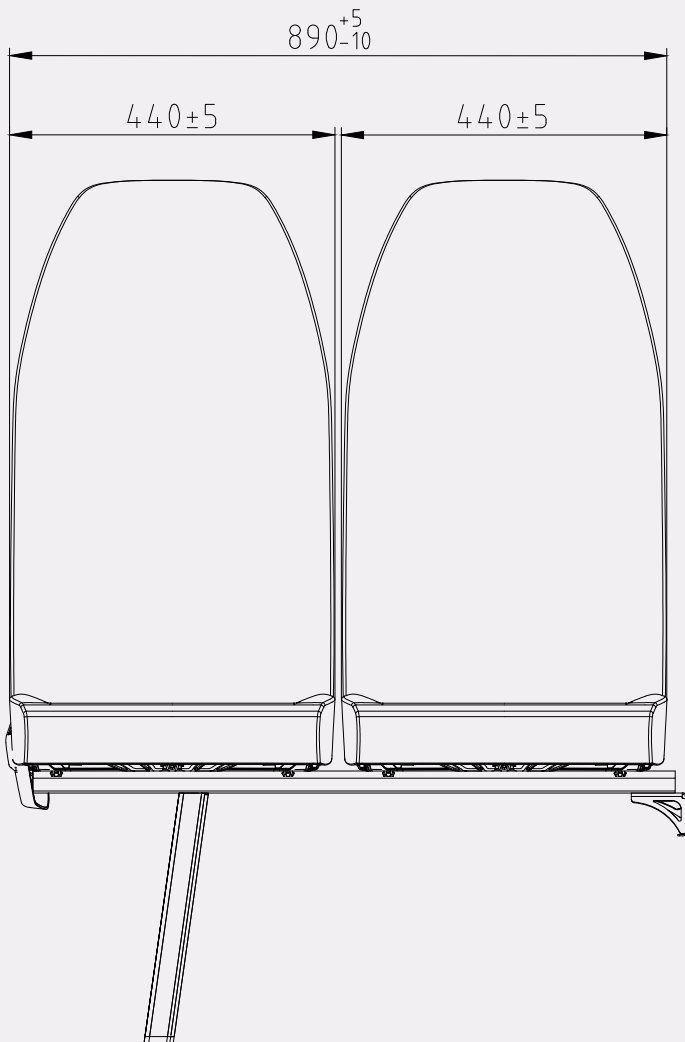
# Ligero NG 700

## Dimensions



# Ligero NG 750

## Dimensions



# Ligero NG 700/750

## Product overview

CLASSIFICATION	LIGERO NG 700	LIGERO NG 750
Single seat	<input type="checkbox"/>	<input type="checkbox"/>
Double seat	<input checked="" type="checkbox"/>	<input checked="" type="checkbox"/>
Tip-up seat	<input type="checkbox"/>	<input type="checkbox"/>
Back to back seating	<input type="checkbox"/>	<input type="checkbox"/>
3 seat combination	<input type="checkbox"/>	<input type="checkbox"/>
Longitudinal seat	<input type="checkbox"/>	<input type="checkbox"/>
<b>DIMENSIONS</b>		
Seat cushion width	440 mm	440 mm
Total seat width	890 mm	890 mm
<b>FEATURES</b>		
Backrest fixed	<input checked="" type="checkbox"/>	<input checked="" type="checkbox"/>
Backrest adjustable	n/a	<input type="checkbox"/>
<b>RESTRAINT SYSTEM</b>		
2-point safety belt	n/a	<input type="checkbox"/>
3-point safety belt	n/a	<input type="checkbox"/>
All age seat belt facility	n/a	<input type="checkbox"/>
<b>ACCESORIES</b>		
Bow-type handle	<input type="checkbox"/>	<input type="checkbox"/>
Armrest foldable	<input type="checkbox"/>	<input type="checkbox"/>
Grasp handle/handle on back (horizontal)	<input type="checkbox"/>	<input type="checkbox"/>
Footrest adjustable	<input type="checkbox"/>	<input type="checkbox"/>
Magazine net	<input type="checkbox"/>	<input type="checkbox"/>
School handle	<input type="checkbox"/>	<input type="checkbox"/>
Stanchion fitting	<input type="checkbox"/>	<input type="checkbox"/>
USB on the backrests	<input type="checkbox"/>	<input type="checkbox"/>
Stop button	<input type="checkbox"/>	<input type="checkbox"/>
Table	<input type="checkbox"/>	<input type="checkbox"/>
Reading light	<input type="checkbox"/>	<input type="checkbox"/>
Phone holder	<input type="checkbox"/>	<input type="checkbox"/>
Cup holder	<input type="checkbox"/>	<input type="checkbox"/>
Cantilever-fixation	<input type="checkbox"/>	n/a
Full backrest cover	<input type="checkbox"/>	<input type="checkbox"/>
Seat cushions standard (h=90 mm)	<input checked="" type="checkbox"/>	<input checked="" type="checkbox"/>
seat cushions high (h=125 mm)	<input type="checkbox"/>	<input type="checkbox"/>
<b>WEIGHT</b>		
Double seat (standard) without belts	ca. 16.1 kg	ca. 16.5 kg
Double seat (standard) with 2-p./3-p. belts		ca. 18.5/21 kg
Legal requirements: EN 45545/GOST/UIC 566/Grula DB		
<input checked="" type="checkbox"/> standard <input type="checkbox"/> optional             n/a not available		

