

# Vienna Tram Urban train

---

**Local transport | self-supporting +  
low-maintenance**



# Vienna

## self-supporting + low-maintenance

The VIENNA seating system for trams and urban trains is made from a self-supporting, weight-optimised wooden shell. As a result, it does not need an internal support-structure with a tubular frame. This makes the wooden seat according to EN45545 considerably lighter.

Innovative wood materials are used in the VIENNA. The design of the HPL surfaces, which form the top layers of the seat and back rest, is freely selectable and opens up a wide choice of colours. Thanks to this material, the seat is also easy to clean and therefore low maintenance. Upholstery is also possible as an option. As a result, the VIENNA seating system can be designed flexibly to meet customer requests. The VIENNA is available as single, double and folding seats. The installation of handles and poles is also possible. Overall, thanks to its materials and design, the VIENNA guarantees a high level of Anti-vandalism and graffiti protection.



### PRODUCT FEATURES AND ADVANTAGES

- Weight-optimised + lightweight
- Natural materials
- Easy to clean
- Modular kit system
- Anti-vandalism and graffiti protection

# Vienna Functions

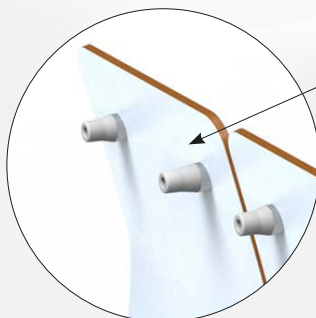
**DOUBLE  
FACING SEATS**  
• Optional



**CANTILEVER  
FASTENING**  
• Optional

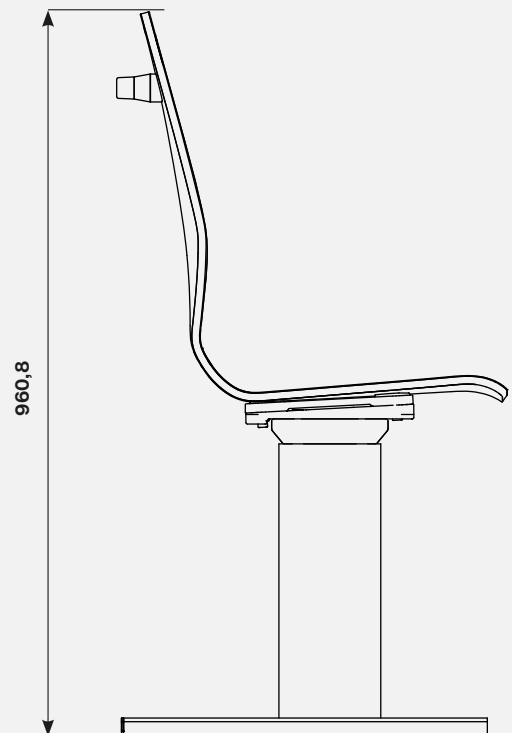
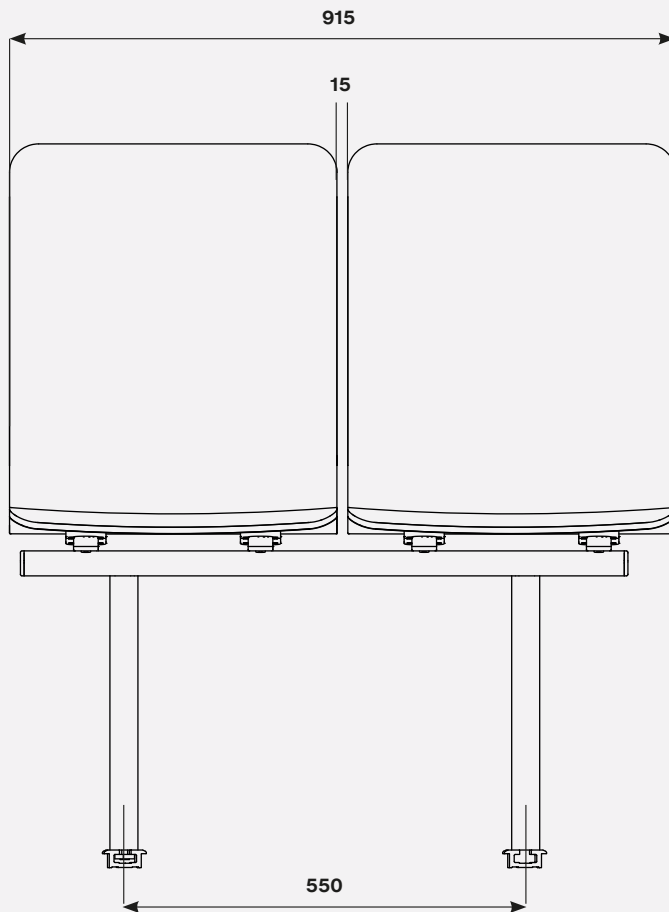


**HANDLE**  
• Optional



# Vienna

## Illustrative dimensions



# Vienna

## Product overview

### CLASSIFICATION

Single seat	<input checked="" type="checkbox"/>
Double seat	<input checked="" type="checkbox"/>
Folding seat	<input checked="" type="checkbox"/>
Facing double seat	<input type="checkbox"/>
Bench	<input type="checkbox"/>

### DIMENSIONS

Single seat width	450 mm
-------------------	--------

### ACCESSORIES

Handle	<input checked="" type="checkbox"/>
Cantilever fastening	<input type="checkbox"/>

### WEIGHT

Double seat, including aluminium crossbeam	15,8 kg
--	---------

Statutory standards:

EN 45545 up to and including HL2

standard  optional n/a not available

