

SIMOS®



TRAIN | LOCAL TRANSPORT



hard-wearing

contemporary

modular



SIMOS®

The SIMOS seat is a modular, contemporary designed seating system and has a good level of comfort. Because of the external aluminium structure in connection with the metal back and the durable cushions is the SIMOS seat especially suitable for daily use in tram and metro vehicles.



The modular system allows for single, double and row seating.

The back panels are made from smooth sheet steel, shaped in line with the contours of the side and centre profiles.

The metal parts have been treated with a zinc-phosphating and then given a powder-coating. The metal parts are available in any RAL colour.

The plywood cushion frames are manufactured as a contoured part using the press-moulding technique. The cover material is glued onto the cut foam as a flat fabric, and as such is extremely durable.

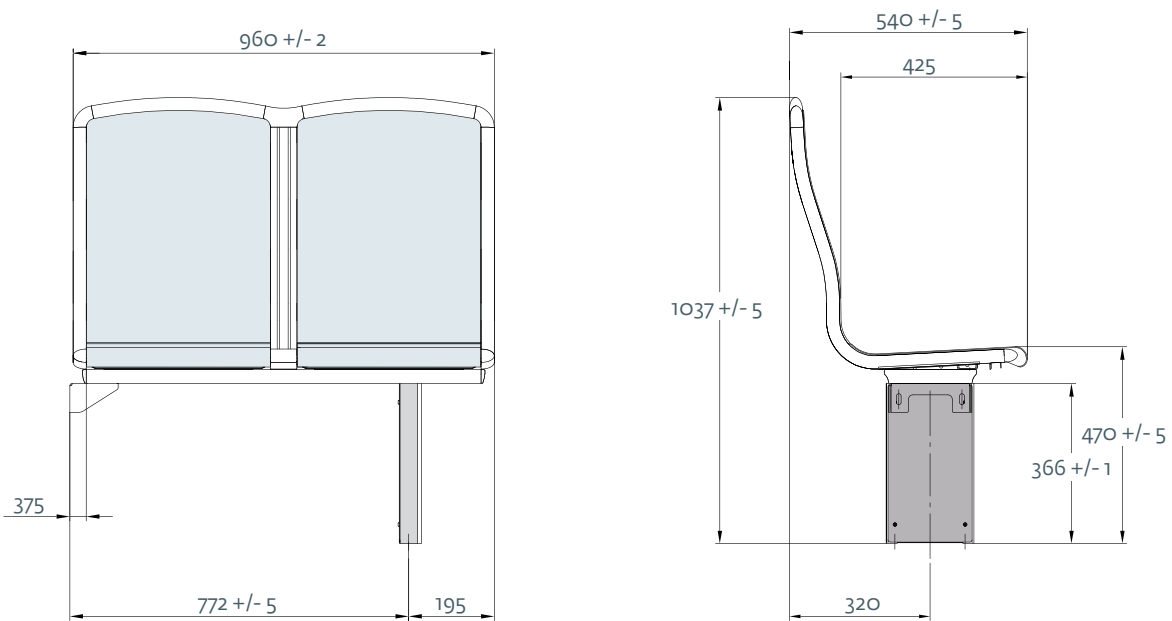
Product features and benefits:

- **The highest fireproof rating**
- **Modular system suitable for almost all installation situations**
- **High anti-vandalism protection**



DIMENSIONS

exemplary



APPLICATIONS



PRODUCT OVERVIEW

SEAT TYPES

Single seat	<input checked="" type="checkbox"/>
Double seat	<input checked="" type="checkbox"/>
Tip-up seat	<input type="checkbox"/>
Dos-a-dos seat	<input type="checkbox"/>
Longitudinal seat	<input type="checkbox"/>

DIMENSIONS

Single seat width	425 - 960 mm*
Total seat width	850 - 960 mm*

FEATURES

Full-padded	<input checked="" type="checkbox"/>
-------------	-------------------------------------

ACCESSORIES

Grasp handle	<input type="checkbox"/>
Stanchion fitting	<input type="checkbox"/>
Cantilever fixation	<input checked="" type="checkbox"/>

ANTIVANDALISM

Cut protection system	<input type="checkbox"/>
-----------------------	--------------------------

WEIGHT

Double seat (standard version)	ca. 25 kg
--------------------------------	-----------

* individual seat widths on request

Standard
 Option

Compliant with legal requirements:

DIN 5510-2 | UIC 566/ UIC 564 | EN 45545 | BS 6853 (Cat.2/ Cat.1b/ Cat. 1a) |
ISO 5660 | ISO 1716 | ASTM E 635 | ASTM E 1354 | ASTM 662 |
FMVSS302 / CMVSS302 | DIN 5510-2 Annex C&D + New Gase





Franz Kiel GmbH

Nürnberger Straße 62
86720 Nördlingen
Germany

Tel. +49 (0) 90 81/21 03 - 0
Fax +49 (0) 90 81/21 03 - 151

info@kiel-sitze.de
www.kiel-sitze.de

DRIVEN BY **INNOVATION**

