

# Match G2<sup>®</sup>



TRAIN | REGIONAL TRANSPORT



comfortable

stylish

modular



# MATCH G2®



Com

---



Eco

---



MATCH G2 is a modular passenger seating system for regional and long-distance trains.

Sophisticated in ergonomics and design, this train seat impresses with its extremely high feel-good effect for the passenger: It offers outstanding sitting comfort thanks to its ergonomically designed seat and back cushion. Then there is the high functionality of this train seat. And that is not all: With its modern and novel shape, the MATCH G2 train seat also fulfils the highest aesthetic requirements.

The cushion widths have been utilised to their optimum and fulfil the TSI-PRM standard. The headrest is a separate cushioned part and is fully upholstered, with hidden screw attachments, and offers excellent comfort for the head region. All cushioned parts can be quickly replaced as required, and are also available in flame-retardant versions.

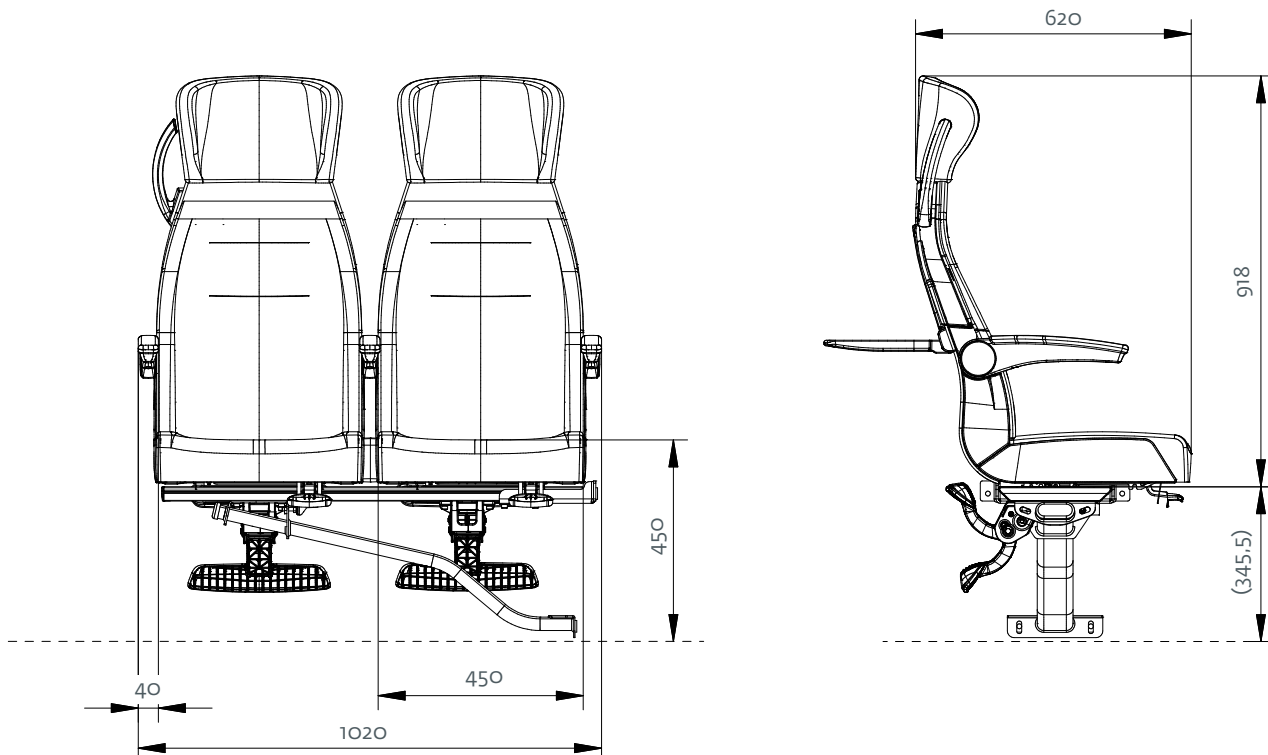
#### Product features and benefits:

- **Modern, contemporary design**
- **Modular system**
- **Excellent seating comfort**
- **A range of varieties and first-rate optional extras**

---

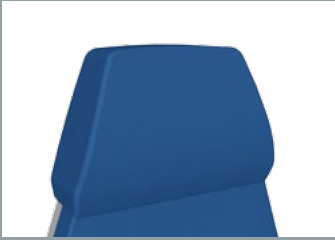
## DIMENSIONS

### exemplary



# Match G2®

## HEAD REST OPTIONS



A-shape



V-shape



V-shape with tall ears



Comfort

## PRODUCT OVERVIEW

### SEAT TYPES

Single seat	<input checked="" type="checkbox"/>
Double seat	<input checked="" type="checkbox"/>
Invalid tip-up seat	<input checked="" type="checkbox"/>
Back to back seating	<input type="checkbox"/>
Three seat combination	<input type="checkbox"/>

### DIMENSIONS

Seat width (between armrests)	450-500 mm
-------------------------------	------------

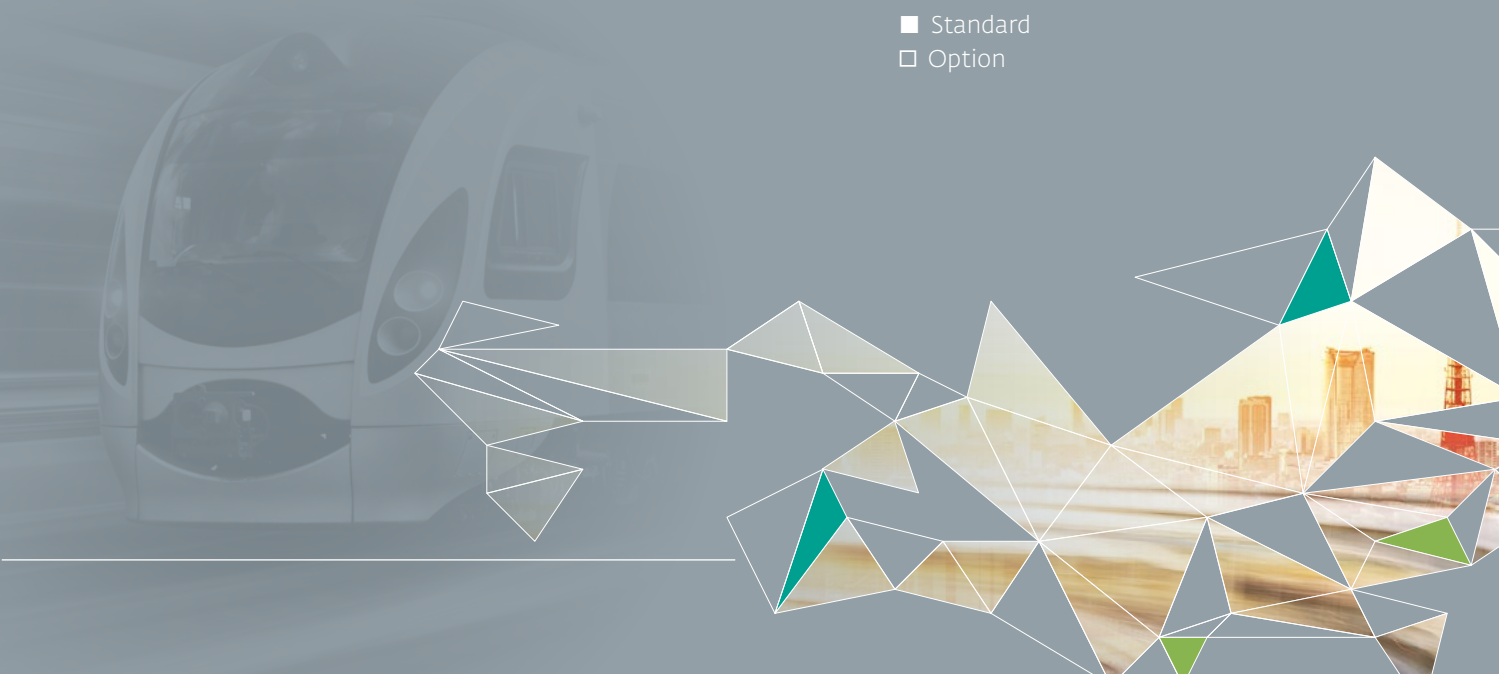
### FUNCTIONS

Backrest fixed	<input checked="" type="checkbox"/>
Back- and seat cushion angle adjustment	<input type="checkbox"/>

### HEAD REST OPTIONS

A-shape	<input checked="" type="checkbox"/>
V-shape	<input checked="" type="checkbox"/>
V-shape with tall ears	<input type="checkbox"/>
Comfort	<input type="checkbox"/>

Standard  
 Option



# PRODUCT OVERVIEW

## ARMREST

Foldable armrest, aisle side	<input checked="" type="checkbox"/>
Foldable armrest, centered	<input checked="" type="checkbox"/>
Fixed armrest, aisle side	<input checked="" type="checkbox"/>
Fixed armrest, wall side	<input checked="" type="checkbox"/>
Fixed armrest, centered	<input checked="" type="checkbox"/>
Bow type armrest, aisle side	<input checked="" type="checkbox"/>
Bow type armrest, wall side	<input checked="" type="checkbox"/>

## ARMREST COVER

Plastic pad	30-60 mm
Wooden pad	30-60 mm
Textile padded	30-60 mm

## GRIP

TSI-PRM fitted, on aisle side	<input checked="" type="checkbox"/>
-------------------------------	-------------------------------------

## FURTHER ACCESSORIES

Foldable table on back with cup space	<input type="checkbox"/>
Foldable table on back, extendable	<input type="checkbox"/>
Footrest adjustable	<input type="checkbox"/>
Magazine net	<input type="checkbox"/>
Fixed LED reading lamp	<input type="checkbox"/>
Flexible LED reading lamp	<input type="checkbox"/>
Coat hook	<input type="checkbox"/>
Litter bin	<input type="checkbox"/>
Socket	<input type="checkbox"/>
USB-loading possibility	<input type="checkbox"/>
Cantilever fixation	<input type="checkbox"/>

## WEIGHT

Double seat (standard version)	ca. 33,00 kg
--------------------------------	--------------

Compliant with legal requirements:  
UIC 564 | Grula DB | EN 45545 | GOST

Standard  
 Option





**Franz Kiel GmbH**

Nürnberger Straße 62  
86720 Nördlingen  
Germany

Tel. +49 (0) 90 81/21 03 - 0  
Fax +49 (0) 90 81/21 03 - 151

[info@kiel-sitze.de](mailto:info@kiel-sitze.de)  
[www.kiel-sitze.de](http://www.kiel-sitze.de)

DRIVEN BY **INNOVATION**

