

Lihok Train

Long-distance travel | luxurious + elegant



Lihok

luxurious + elegant

The LIHOK seat has been specially designed for use in long-distance trains. The model catches the eye with its modern, elegant appearance that is determined entirely from the natural wood material. Every component and design detail of this comfortable train seat impresses thanks to its high-end quality. The passenger enjoys it with all their senses.

Material, features and layout of the LIHOK perfectly fulfil the high expectations that today's passengers have for the interior design of means of transport. The wide seats and back rests ensure free movement and an especially high level of comfort. With regards to the seat, back rest and head rest upholstery, customer's wishes can be fulfilled easily and cost-effectively. This gives, the vehicle interior gets an individual and passenger-orientated appearance.



PRODUCT FEATURES AND ADVANTAGES

- Elegant, luxurious design
- Natural materials
- Maximum sitting comfort
- Modular kit system
- High-end quality

Lihok

Functions

HANDLE

- Aisle side
- Optional



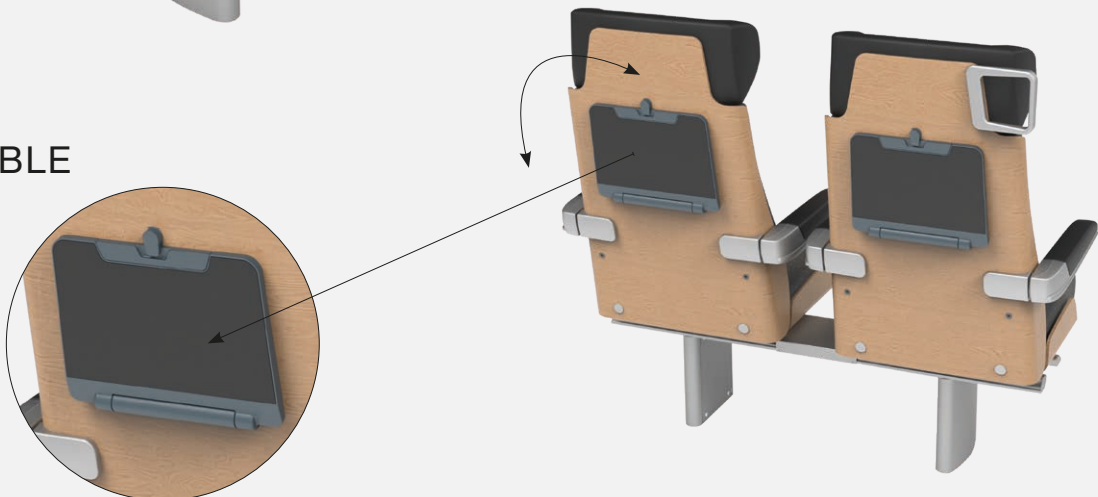
BACK AND SITTING ANGLE ADJUSTMENT

FOLDABLE ARM REST

- Aisle side | centre

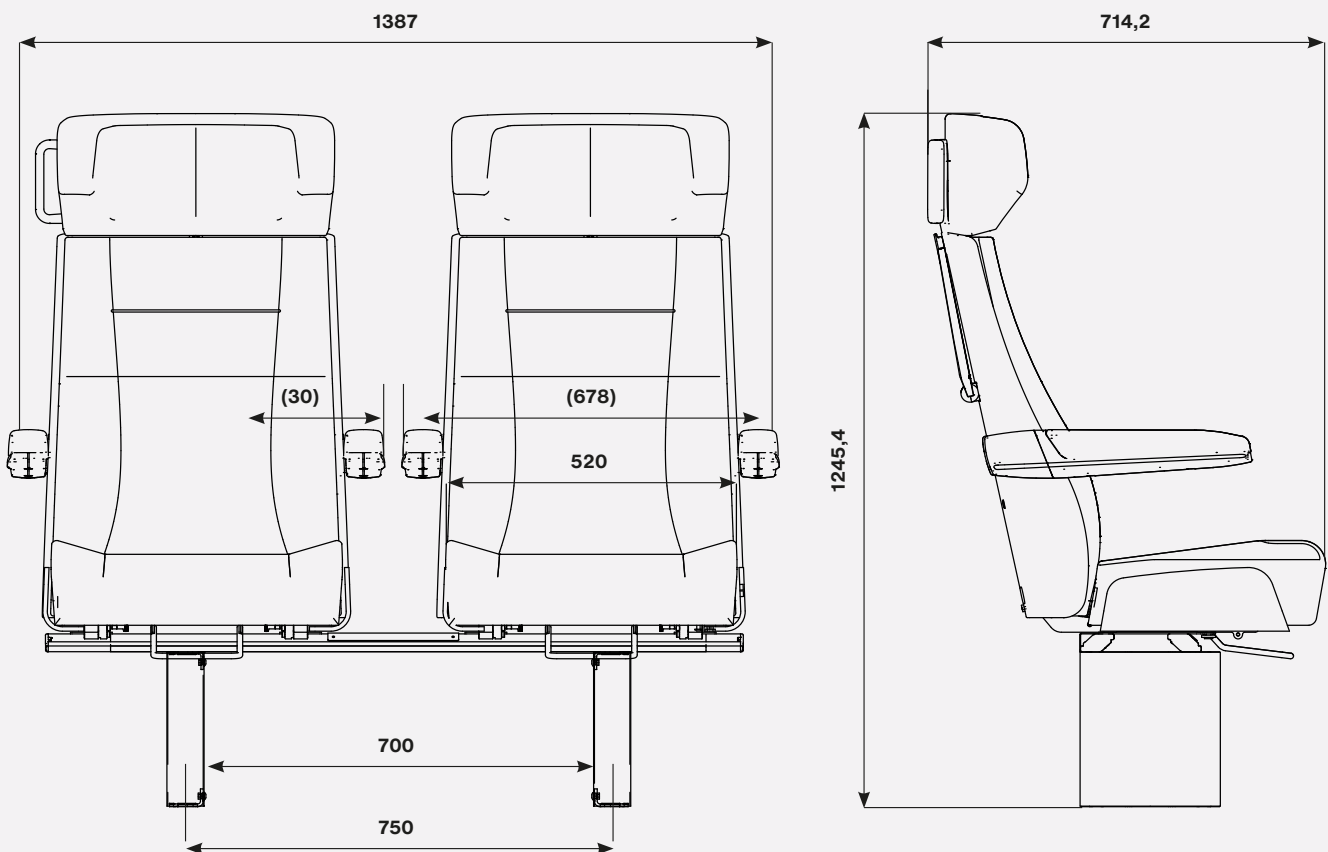
BACK FOLDING TABLE

- With cup holder
- Optional



Lihok

Illustrative dimensions



Lihok

Product overview

CLASSIFICATION

Single seat	<input checked="" type="checkbox"/>
Double seat	<input checked="" type="checkbox"/>
Facing double seat	<input type="checkbox"/>
Triple seat combination	<input type="checkbox"/>

DIMENSIONS

Seat width	450 mm, 520 mm
------------	----------------

FUNCTIONS

Fixed back rest	<input type="checkbox"/>
Back and sitting angle adjustment	<input checked="" type="checkbox"/>

ARM REST

Foldable arm rest, aisle side	<input checked="" type="checkbox"/>
Foldable arm rest, centre	<input checked="" type="checkbox"/>
Fixed arm rest, aisle side	<input checked="" type="checkbox"/>
Fixed arm rest, wall side	<input checked="" type="checkbox"/>
Fixed arm rest, centre	<input checked="" type="checkbox"/>

HANDLE

Handle, aisle side	<input type="checkbox"/>
--------------------	--------------------------

OTHER ACCESSORIES

Back folding table with cup holder	<input type="checkbox"/>
Foot rest adjustable	<input type="checkbox"/>
Newspaper net	<input type="checkbox"/>
Bin	<input type="checkbox"/>
Functional centre console with socket	<input type="checkbox"/>
Cantilever fastening	<input type="checkbox"/>
USB charging possibility	<input type="checkbox"/>

WEIGHT

Double seat	approx. 50 kg
-------------	---------------

Statutory standards:

UIC 566 | EN 45545 | Grula DB |

standard optional

