

# Culta Train

Long-distance travel | the lightest  
in its class



# Culta

## the lightest in its class

With the unique fully magnesium frame construction of the CULTA seat we are setting new standards. The innovative connection technology of the seat frames is has been crash tested according to Unife. This makes the CULTA the lightest train seat in the world and also offers a wide variety of installation possibilities.

The ergonomic shape of the CULTA provides maximum travel comfort. In addition, the seat is adjustable, has a foldaway table and an adjustable foot rest. Highlights include the adjustable head cushions with distinct head rests: They give the traveller a shielded, protected space – for optimum relaxation on long journeys. The modular kit system of the CULTA makes replacing components quick and cost-effective. In addition, the seat can therefore be adjusted optimally to individual needs.

**CULTA is available in comfort variants for 1st and 2nd class.**



**CULTA**  
1st class



**CULTA**  
2nd class

### PRODUCT FEATURES AND ADVANTAGES

- Innovative connection technology
- Lightest train seat worldwide
- Maximum sitting comfort
- Modular kit system
- Comfort variants for 1st and 2nd class

# Culta

## 1st class | Functions

### HANDLE

- Aisle side

### BACK AND SITTING ANGLE ADJUSTMENT

### FOLDABLE ARM REST

- Aisle side | centre

### BACK FOLDING TABLE

- With cup holder
- Optional

### ADJUSTABLE FOOT REST

- Optional



# Culta

## 2nd class | Functions

### HANDLE

- Aisle side

### BACK AND SITTING ANGLE ADJUSTMENT

### FOLDABLE ARM REST

- Aisle side | centre

### BACK FOLDING TABLE

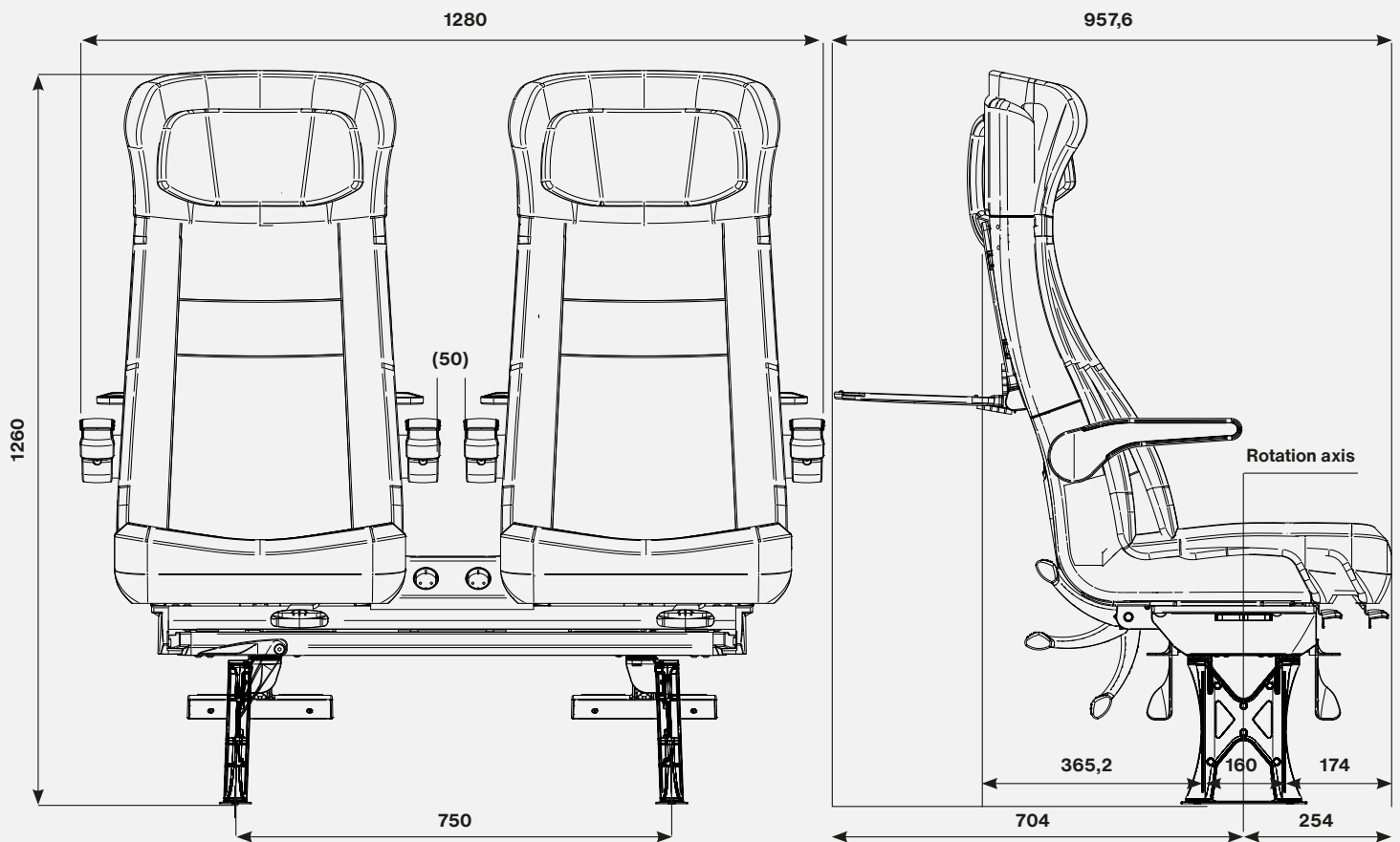
- With cup holder
- Optional

### ADJUSTABLE FOOT REST

- Optional

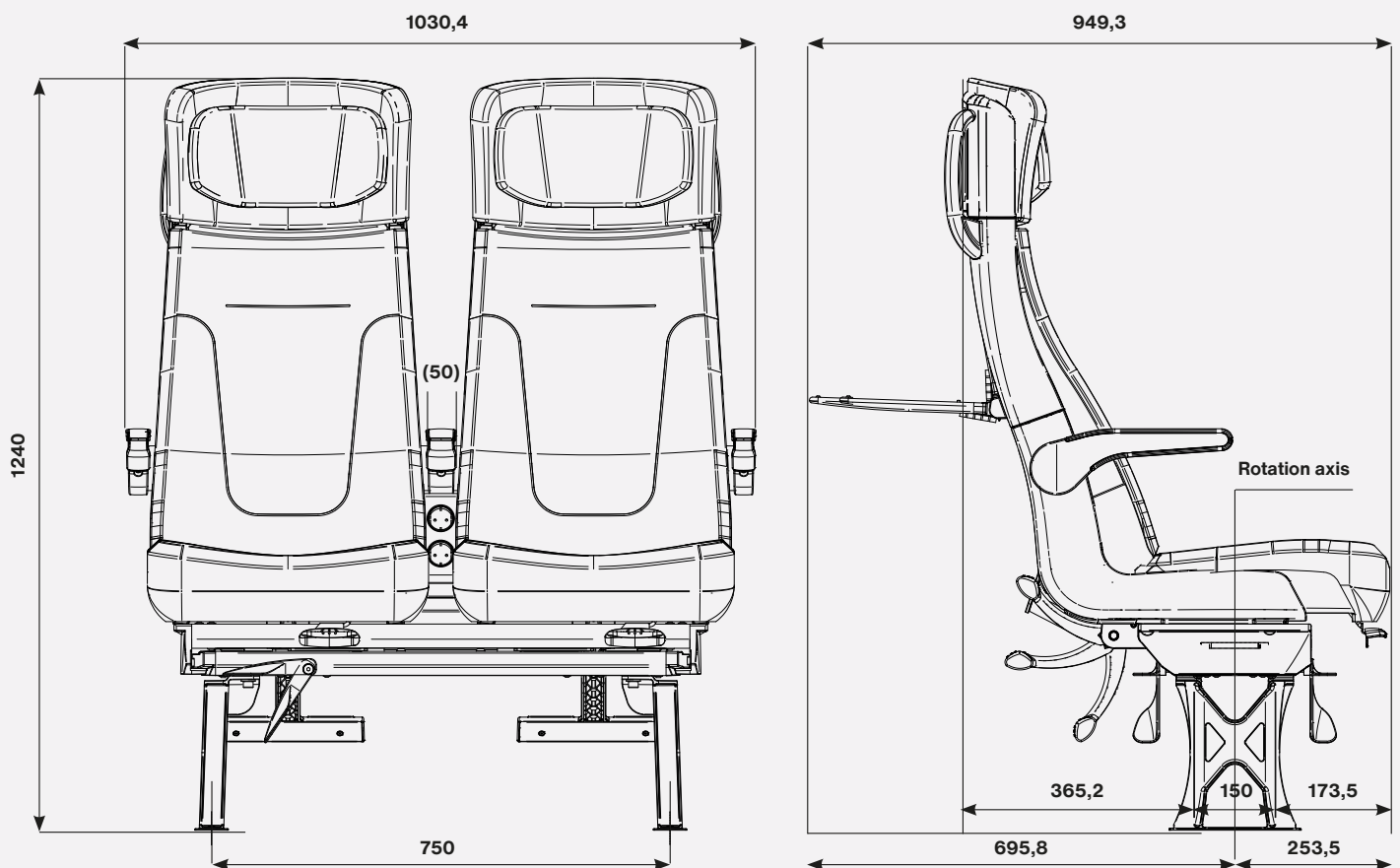
# Culta | 1st class

## Illustrative dimensions



# Culta | 2nd class

## Illustrative dimensions



# Culta

## Product overview

CLASSIFICATION	1ST CLASS	2ND CLASS
Single seat	<input checked="" type="checkbox"/>	<input checked="" type="checkbox"/>
Double seat	<input checked="" type="checkbox"/>	<input checked="" type="checkbox"/>
Facing double seat	<input type="checkbox"/>	<input type="checkbox"/>
Triple seat combination	<input type="checkbox"/>	<input type="checkbox"/>
<b>DIMENSIONS</b>		
Seat width	470 mm	450 mm
<b>FUNCTIONS</b>		
Back and sitting angle adjustment	<input checked="" type="checkbox"/>	<input checked="" type="checkbox"/>
<b>ARM REST</b>		
Foldable arm rest, aisle side	<input checked="" type="checkbox"/>	<input checked="" type="checkbox"/>
Foldable arm rest, centre	<input checked="" type="checkbox"/>	<input checked="" type="checkbox"/>
Fixed arm rest, wall side	<input checked="" type="checkbox"/>	<input checked="" type="checkbox"/>
<b>HANDLE</b>		
Handle, aisle side	<input type="checkbox"/>	<input type="checkbox"/>
<b>OTHER ACCESSORIES</b>		
Back folding table with cup holder	<input type="checkbox"/>	<input type="checkbox"/>
Foot rest adjustable	<input type="checkbox"/>	<input type="checkbox"/>
Newspaper net	<input type="checkbox"/>	<input type="checkbox"/>
Bin	<input type="checkbox"/>	<input type="checkbox"/>
Functional centre console with socket	<input type="checkbox"/>	<input type="checkbox"/>
Cantilever fastening	<input type="checkbox"/>	n/a
USB charging possibility	<input type="checkbox"/>	<input type="checkbox"/>
Display for seat reservation	<input type="checkbox"/>	<input type="checkbox"/>
<b>WEIGHT</b>		
Double seat	approx. 33,3 kg	approx. 29,5 kg

Statutory standards:

UIC 566 | EN 45545

standard  optional n/a not available

