

COMFORTLINE®



TRAIN | INTERCITYTRANSPORT



luxurious

sophisticated

ultramodern



COMFORTLINE®

The COMFORTLINE seat is a special development for intercity trains. The ultramodern and demanding design compliments the COMFORTLINE seat. The ergonomically formed seat provides an unparalleled level of comfort. On the basis of an unique technological concept the COMFORTLINE seat features a wide functionality.



470 mm seat width



450 mm seat width



FUNCTIONS

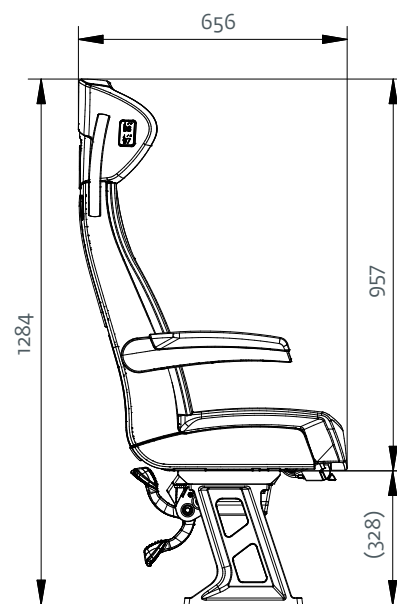
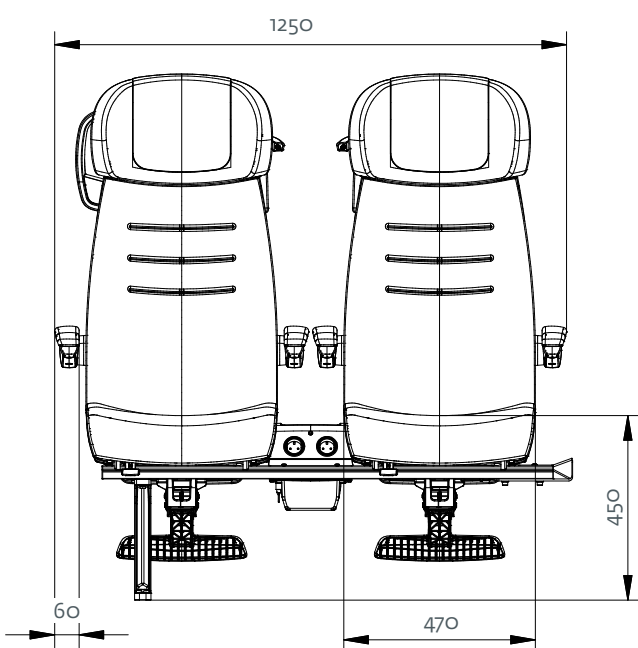


Back- and seat cushion angle adjustment manual or motor-operated

The ultramodern Comfortline seat provides comfort in design and upholstery. The contoured head rest provides a shielded area, therefore the perfect rest place. The excellent accessories of the seat, adjustable footrest, foldable table, flexible LED-reading lamp, seat cushion angle adjustment, supporting spring and small shelf provide a comfortable environment for long travel periods.

DIMENSIONS

exemplary



ACCESSORIES



Functional compartment
incl. power socket



Magazine net



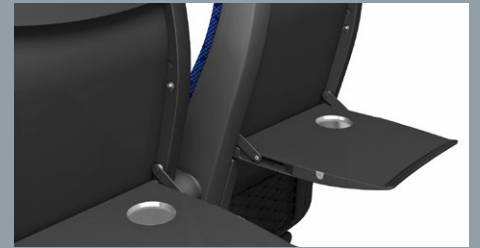
Adjustable footrest



Foldable side armrests



Foldable middle armrest



Foldable table on back with cup space



Small shelf



Flexible LED reading lamp

Product features and benefits:

- Modular system that adapts to different requirements
- A range of varieties and first-rate optional extras
- With new functionality: electronic seat adjustment
- Excellent seat comfort



PRODUCT OVERVIEW

SEAT TYPES

| | |
|----------------------|-------------------------------------|
| Single seat | <input checked="" type="checkbox"/> |
| Double seat | <input checked="" type="checkbox"/> |
| Back to back seating | <input type="checkbox"/> |
| 3-seater combination | <input type="checkbox"/> |

DIMENSIONS

| | |
|--|-------------|
| Seat width (available width between the armrests) | 450 -550 mm |
|--|-------------|

FUNCTIONS

| | |
|---|-------------------------------------|
| Fixed backrest | <input checked="" type="checkbox"/> |
| Back- and seat cushion angle adjustment (manual or motor-operated) | <input checked="" type="checkbox"/> |

ARMREST

| | |
|------------------------------|-------------------------------------|
| Foldable armrest, aisle side | <input checked="" type="checkbox"/> |
| Foldable armrest, centered | <input checked="" type="checkbox"/> |
| Fixed armrest, aisle side | <input checked="" type="checkbox"/> |
| Fixed armrest, wall side | <input checked="" type="checkbox"/> |
| Fixed armrest, centered | <input checked="" type="checkbox"/> |

GRAB HANDLE

| | |
|---------------------------|--------------------------|
| Grab handle on aisle side | <input type="checkbox"/> |
|---------------------------|--------------------------|

FURTHER ACCESSORIES

| | |
|---|--------------------------|
| Foldable table on back with cup space | <input type="checkbox"/> |
| Small shelf | <input type="checkbox"/> |
| Adjustable footrest | <input type="checkbox"/> |
| Magazine net | <input type="checkbox"/> |
| Waste bin | <input type="checkbox"/> |
| Flexible LED reading lamp | <input type="checkbox"/> |
| Functional compartment incl. power socket | <input type="checkbox"/> |
| Cantilever fixation | <input type="checkbox"/> |
| USB-loading possibility | <input type="checkbox"/> |
| Display for seat reservation | <input type="checkbox"/> |

- Standard
- Option

WEIGHT

| | |
|--------------------------------|--------------|
| Double seat (standard version) | ca. 44,00 kg |
|--------------------------------|--------------|

Compliant with legal requirements:
UIC 566 / Grula DB | EN 45545 / GOST





Franz Kiel GmbH

Nürnberger Straße 62
86720 Nördlingen
Germany

Tel. +49 (0) 90 81/21 03 - 0
Fax +49 (0) 90 81/21 03 - 151

info@kiel-sitze.de
www.kiel-sitze.de

DRIVEN BY **INNOVATION**

