

## BASEL®



TRAIN | LOCAL TRANSPORT



natural

hygienic

versatile



# BASEL®

The Basel seat is specially designed as a tram seat for daily use in city transport.



Double seat

---



Back to back seating

---



The „Basel“ is a minimalist wooden shell seat on a support structure out of steel tubes. It impresses with its design, its lightness and its hygienic properties. In addition, it is particularly easy to clean and has a high vandalism and graffiti protection.

The „Basel“ offers with its HPL panels a big color and decor variety, which allows to respond to individual customer requests.

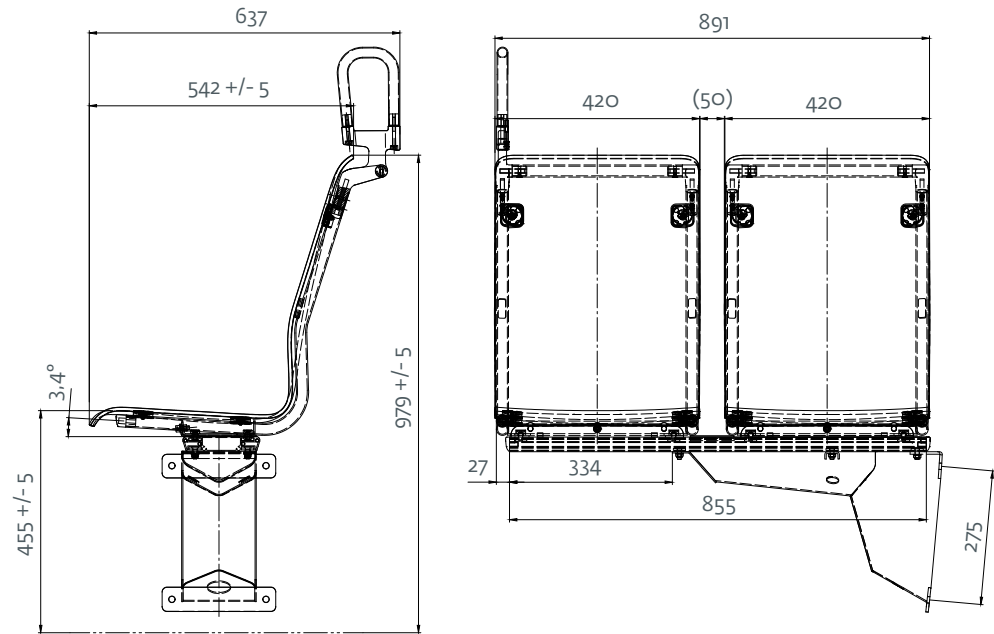
The Basel seating system is designed so that single, double and longitudinal seats are possible. The width of the „Basel“ is easily and individually adapted to customer requirements, as well as handles and bars can be mounted in different ways. A stand-up aid can also be mounted on the rear of the frame structure.

**Product features and benefits:**

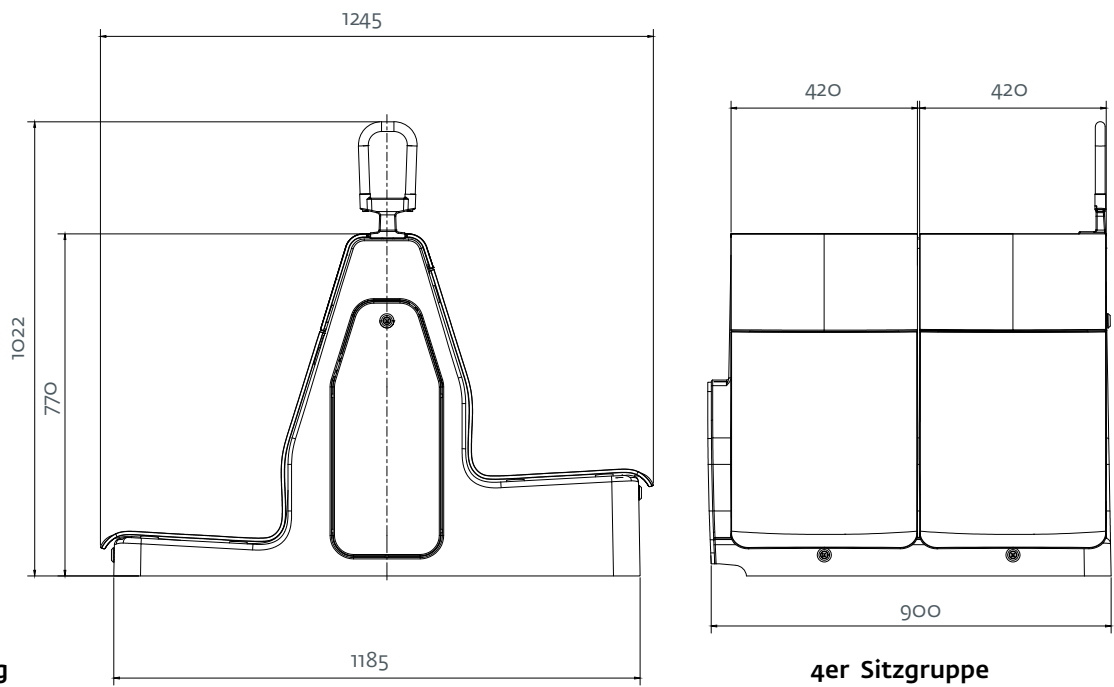
- **Fireproof and high stability through metal structure**
  - **Use of innovative wood material**
  - **Hygienic and easy to clean**
  - **High anti-vandalism and graffiti protection**
- 
-

# DIMENSIONS

exemplary



Double seat



Back to back seating

4er Sitzgruppe

## PRODUCT OVERVIEW

### SEAT TYPES

Single seat	<input checked="" type="checkbox"/>
Double seat	<input checked="" type="checkbox"/>
Tip-up seat	<input checked="" type="checkbox"/>
Mother-child seat	<input type="checkbox"/>
Back to back seating	<input type="checkbox"/>
Longitudinal seat	<input type="checkbox"/>

### DIMENSIONS

Single seat width	420-650 mm
-------------------	------------

### ACCESSOIRES

Grasp handle	<input checked="" type="checkbox"/>
Stanchion fitting	<input checked="" type="checkbox"/>
On box fixation	<input type="checkbox"/>
Cantilever fixation	<input type="checkbox"/>

### WEIGHT

Double seat (standard version)	ca. 27 kg
--------------------------------	-----------

Compliant with legal requirements:  
EN 45545 up to HL2

Standard  
 Option





**Franz Kiel GmbH**

Nürnberger Straße 62  
86720 Nördlingen  
Germany

Tel. +49 (0) 90 81/21 03 - 0  
Fax +49 (0) 90 81/21 03 - 151

[info@kiel-sitze.de](mailto:info@kiel-sitze.de)  
[www.kiel-sitze.de](http://www.kiel-sitze.de)

DRIVEN BY **INNOVATION**

