



Local Transport



INTRA

PRODUCT RANGE



KEY FEATURES:

- Long-lasting seating solution
- Utilizes high-quality stainless steel
- Superior vandal and corrosion resistance
- Contemporary styling



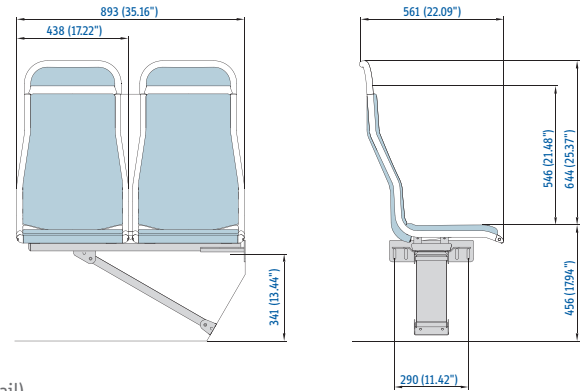
The Intra seat has been developed to meet the demanding needs for every day passenger use. The seat features a high level of comfort and modern, contemporary design.



INTRA

VERSIONS

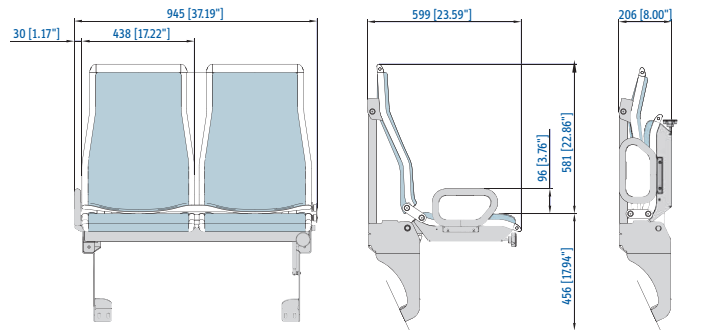
2 Passenger Seat



FEATURES:

- Grab rail (also available without grab rail)
- Mounting system, available with cantilever or pedestal
- No visible exposed fasteners

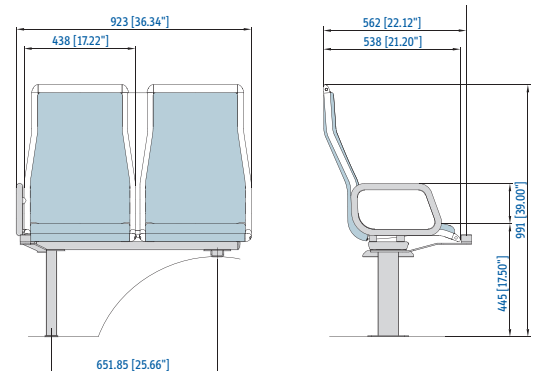
2 Passenger Transverse Flip-up Seat



FEATURES:

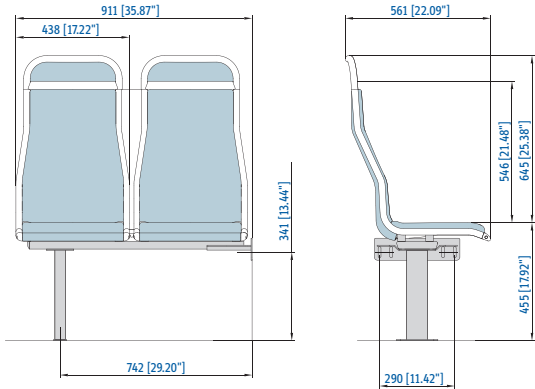
- Grab rail (also available without grab rail)
- Locking options: up and down position
- Aisle armrest restraint available with or without stainless steel panel inserts

Wheel well longitudinal Passenger Seat 1 – 5



FEATURES:

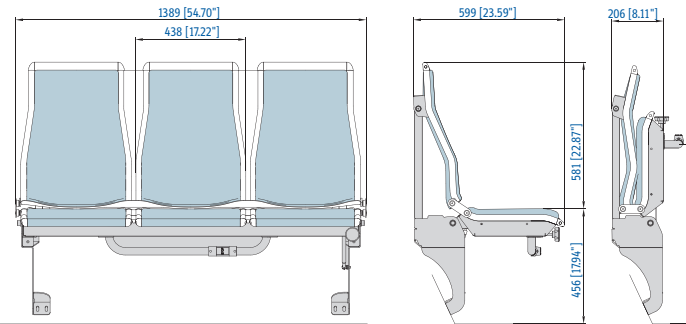
- Grab rail (also without grab rail available)
- Pedestal
- Aisle armrest restraint available with or without stainless steel panel insert



FEATURES:

- Available with or without grab rail
- Optional fold up armrest, fixed stainless steel

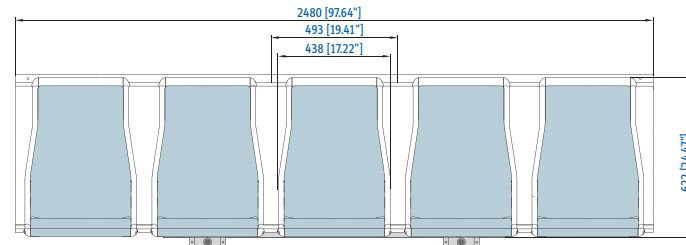
1 – 5 longitudinal passenger seat



FEATURES:

- Locking option up and/or down position
- Optional fold up and fixed stainless steel armrest available

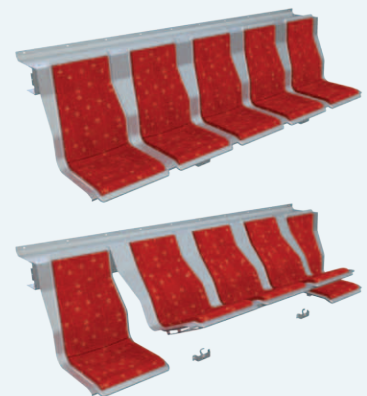
1 – 3 Passenger Longitudinal flip-up seat



FEATURES:

- Locking option up and/or down position
- Optional fold up and fixed stainless steel armrest available
- Available with gas spring assist

2 – 5 Passenger Rear Cross



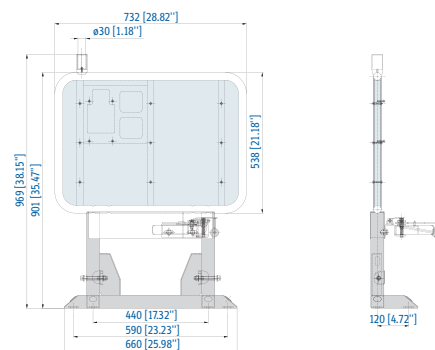
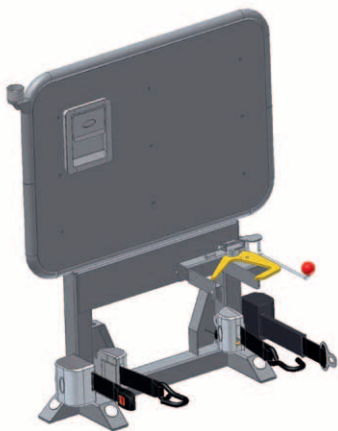
INTRA

VERSIONS

Barrier

FEATURES:

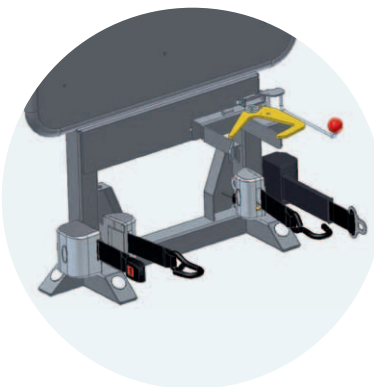
- Available in Stainless steel plate panel, diamond pattern, or specified color.
- Integrates with mobility aid securement product for A.C.A compliance



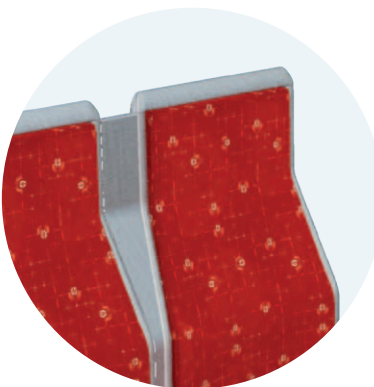
Restraint System

FEATURES:

- Kiel mobility aid securement system
- Optional Q-Straint product Qube available
- Standard Q-Straint and other products according to specification available



Special Feature



FEATURES:

- Protective edge avoids rapid wear of seat pads

INTRA

BUS CONFIGURATION

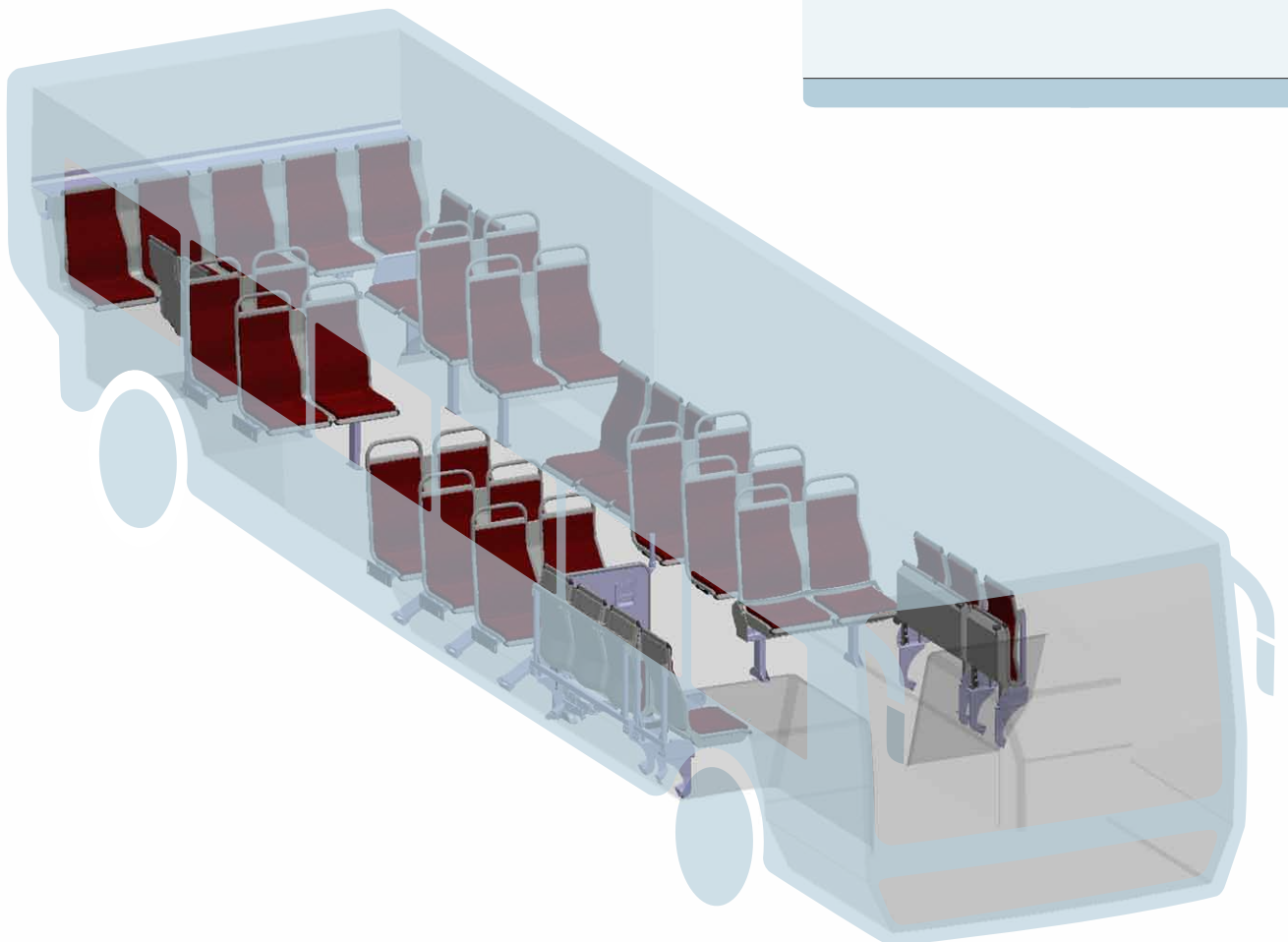
The INTRA seating system has a high level of versatility. The modular design concept allows the adaptation to almost any installation requirement.

INSTALLATION

- Well-designed seating system ready to install
- Easier installation due to a sophisticated mounting system

MAINTENANCE

- Full range of service parts ensures seats can be maintained properly
- The INTRA design concept features an ease of maintenance



BENEFITS AND FEATURES

TOP QUALITY

- Top quality material, first-class workmanship

VANDAL RESISTANCE

- Best vandalism-properties

STATE-OF-THE-ART DESIGN

- Contemporary and modern styling

ADVANCED SEATING COMFORT

- High backrest provides enhanced sitting comfort